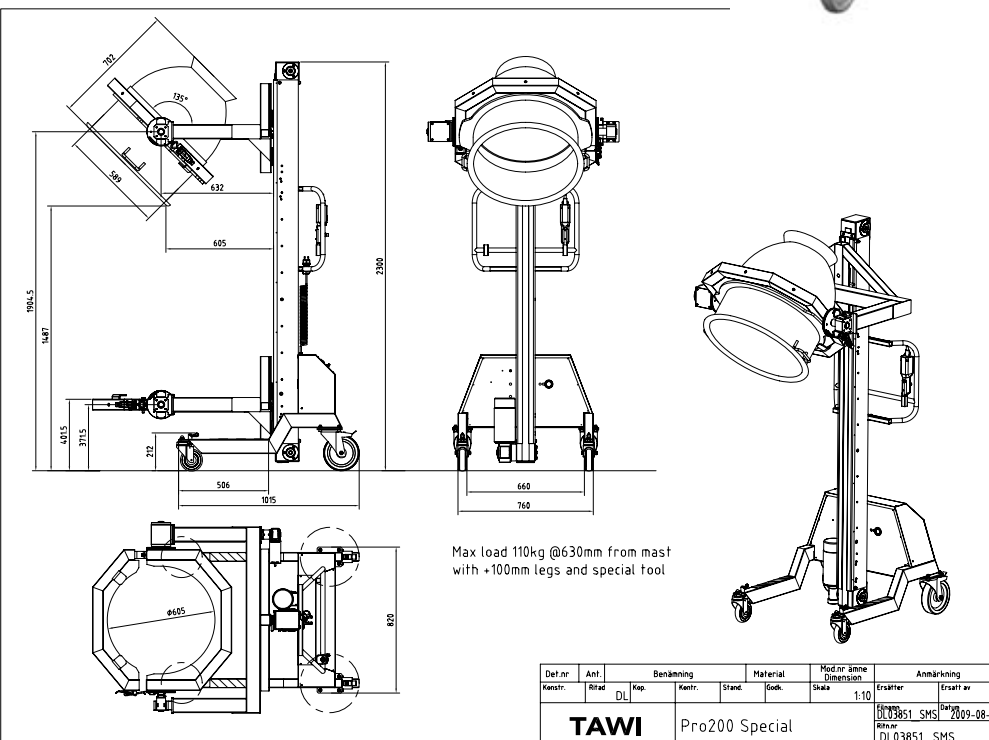


# Protema PRO200 DL03851 containers in bakery

## Drum tipper for stainless steel containers in bakery

Project nr: DL03851  
 Project supervisor: Calle Enmark, TAWI AB  
 Project engineer: David Lorensen, TAWI AB  
 Max capacity, this version: PRO200 110 kg with  
 container center @ 630 mm from mast,  
 +100 mm legs and special tool.

- Special chassis with +100 mm legs for PRO200
- Shortened mast, TH=2300 mm
- Special electrical drum tipper for containers  
 $\varnothing$  605 x 700 mm, max 110 kg



TO VIEW VIDEO  
 CLICK HERE:  
 >> Drum tipper video

OR GO TO:  
[www.tawi.com](http://www.tawi.com)  
 "DOWNLOAD"

**TAWI**  
 Protema

Box 10205 434 23 KUNGSBACKA Sweden  
 Tel +46 300 185 00  
 info@tawi.se  
[www.TAWI.com](http://www.TAWI.com)